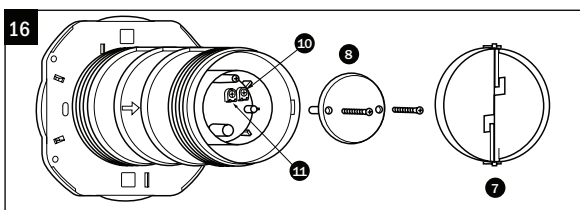
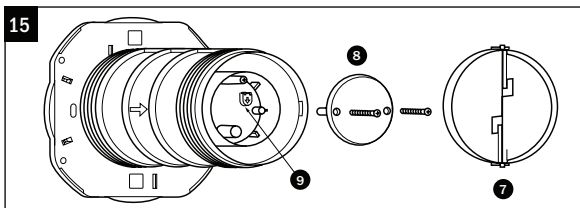
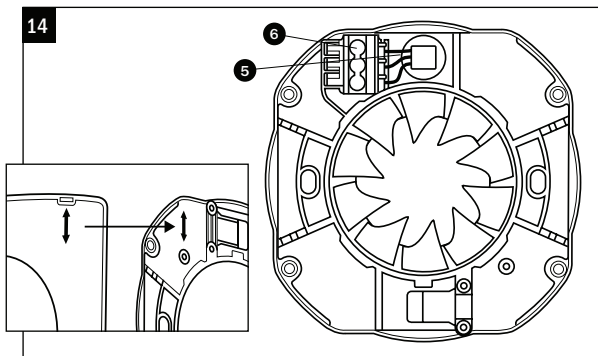
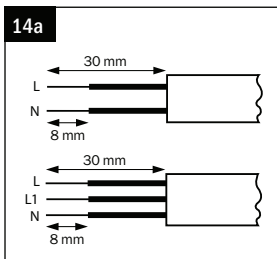
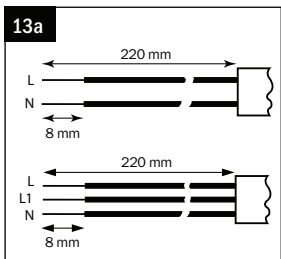
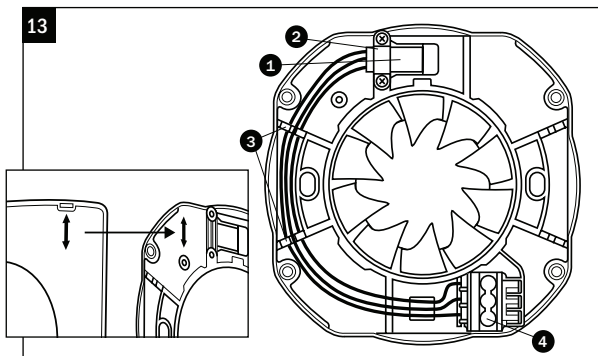


Installation Instructions



Basic, Timer & Humidistat

Zehnder (Retail) - A Division of Zehnder Group UK Ltd
 Watchmoor Point, Camberley, Surrey, GU15 3AD

Tel: +44 (0)1252 531207
 Fax: +44 (0)1252 531201
 Email: retailsales@zehnder.co.uk
 Web: www.zehnder.co.uk

GB Installation Instructions

Please read these installation instructions before starting work.

Warning:

- The appliance is not intended for use by young children or infirm persons unless they have been adequately supervised by a responsible person to ensure that they can use the appliance safely. Young children should be supervised to ensure that they do not play with the appliance.
- Siting Notes:** Where an open-flued oil or gas-fuelled appliance is installed in the kitchen, extract ventilation can cause the spillage of flue gases. Care must be taken to ensure ventilation is reduced appropriately, as set out in the Building Regulations. Kitchens with solid-fuel appliances should not have extract fans fitted.
- Observe appropriate safety precautions if working on steps or ladders. Wear eye protection when breaking out wall or window materials etc.
- The fan should not be sited where it would be subject to a direct source of heat in excess of 40° C.
- When installing wall mounted fans, ensure that there are no buried cables or pipes in the way. It is recommended that this fan is mounted >1.8m above floor level.
- A clearance of 75mm to be allowed on at least one side of the fan for the removal of the internal grille.

Wall Mounting (using ED wall duct and EG external grille)

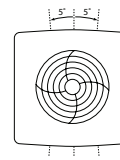
- Loosen the two retaining screws under grille (do not remove screws), then pull bottom of grille while lifting.
- Cut the duct to width of the plasterboard or tiled wall with slight fall to exterior. (Make provisions for cable).
- Fill in any gaps with mortar or foam and make good internal and external walls. Make sure that ducting remains circular and screw holes are horizontal.
- Using No 8 screws, secure fan body to ducting first making sure back draught shutter is fitted, if required, and electrical cable passes through as appropriate. Wire fan (see wiring details).
- Replace internal grille by hooking the top of grille onto main body then push bottom of grille home. Gently tighten retaining screws at bottom of grille, ensuring no wires are trapped.
- Screw the protective wall grille over the external duct opening.

Ceiling Mounting

- Loosen the two retaining screws under grille (do not remove screws), then pull bottom of grille while lifting.
- Cut an opening through the ceiling for the fan and electrical cable
- Secure to ceiling using suitable fixing method first making sure backdraught shutters are removed but shutter spider is left in position. Wire fan (see wiring details).
- Place flexible ducting over the spigot of the fan. Fit ducting to spigot using ties supplied. Maximum duct length to comply with Building Regulations. Replace front grille.
- Typical installation ducted through roof soffit.
- Typical installation ducted through roof to external wall.

Fine Adjustments

If after installation the fan is not level, the front grille can be turned up to 5° clockwise or 5° anti-clockwise to correct this.



Wiring Details

Installation Method 1 13

For new installations or where long supply cable is available.

- Strip cable to correct lengths as shown in diagram 13a.
- Insert cable through cable entry point 1, then clamp cable using the cable clamp 2.
- Use the cable guides 3 to retain the cable wires, then push the wires into the terminal block 4 until cable comes to a dead stop.
- Peel open the terminal cover, so that terminal screws are visible, then tighten screws and replace terminal cover, making sure that cover is fully replaced.
- Terminal seals must be re-fitted securely to ensure IP24 protection.

Installation Method 2 14

For replacement installation with short supply cable.

- Strip cable to correct lengths as shown in diagram 14a.
- Break open cable entry 5 point then insert cable.
- Push the wires into the terminal block 6 until cable comes to a dead stop.
- Peel open the terminal cover, so that terminal screws are visible, then tighten screws and replace terminal cover, making sure that cover is fully replaced.
- Terminal seals must be re-fitted securely to ensure IP24 protection.

Wiring Diagrams

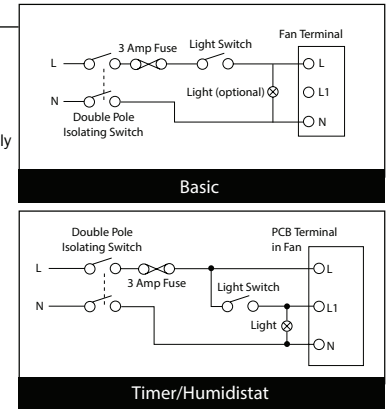
The electrical connections must be carried out by a qualified Electrician in accordance with IEE or local regulations.

Warning: Isolate electricity supply before starting work.

The fans are double insulated and do not require an earth connection.

The fans must be connected to a double pole isolating switch having contact separation of at least 3mm.

When supplied from a 6 amp lighting circuit no local fuse is required.



Fan Specification

□ 220V-240V~50Hz.

Power Consumption: 100mm Basic 12W 100mm Timer/Humidistat 13W IP24

Cable sizes: Fixed flat wiring 2 core 1mm²
3 core 1/1.5mm²

Sound Pressure @ 3 m: 26.7 dB(A)

Timer Adjustment (Model Timer)

Warning: Isolate electricity supply before starting work.

- Remove anti-backdraught shutter spider 7 then PCB cover 8 at rear end of fan by unscrewing the two PCB cover screws.

- The timer 9 is preset (approximately 15 minutes) but may be adjusted by using a screwdriver and rotating clockwise to reduce time and anticlockwise to increase time overrun.
- The maximum overrun time is 30 minutes and the minimum overrun time is 2 minutes.



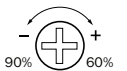
Humidistat Adjustment (Model Humidistat)

Warning: Isolate electricity supply before starting work.

- Remove anti-backdraught shutter spider 7 then PCB cover 8 at rear end of fan by unscrewing the two PCB cover screws.

Humidistat:

- Humidity 10 is pre-set at approximately 75% (recommended to remain unchanged).
- It may be adjusted by using a small screwdriver and rotating clockwise to increase sensitivity and anticlockwise to reduce sensitivity.



Timer:

- The timer 11 is pre-set at approximately 15 minutes.
- It may be adjusted by using a small screwdriver and rotating clockwise to increase time to 30 minutes (maximum) and anticlockwise to reduce time to 2 minutes (minimum).

